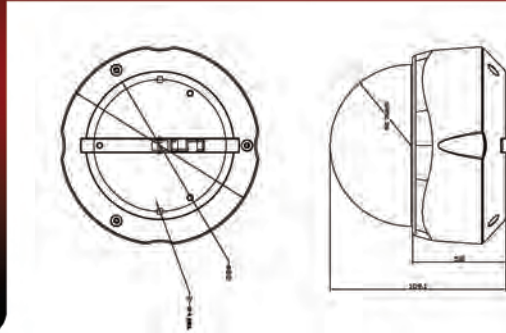




DS-2CC511P (N)-A Analog Color Camera



Key Features

- Compact design
- 1/3" Sony CCD
- Day/night auto switch
- Low Illumination: 0.1Lux/F1.2, color to B/W auto switch
- Auto white balance, auto gain control, electronic shutter control, and backlight compensation
- Internal synchronization
- Support 3.5~9 mm auto iris lens
- Tri-axis mechanism

Specifications

Camera

Image Sensor	1/3" Sony Super HAD CCD
Signal System	PAL / NTSC
Effective Pixels	PAL: 752 (H) × 582 (V) NTSC: 768 (H) × 494 (V)
Min. Illumination	0.1Lux @ F1.2
Day & Night	Electronic Shutter
Electronic Shutter Speed	1/50(60)s to 1/100,000s
Lens	3.5~9 mm Auto Iris Lens
Horizontal Adjustment Range	0°~355°
Vertical Adjustment Range	0°- 90°
Horizontal Resolution	480 TVL
Sync. System	Internal
Video Output	1Vp-p Composite Output (75Ω /BNC)
S/N Ratio	48 dB
White Balance	Auto
BLC	On/Off

General

Operating Temperature	-10°C ~ 60°C
Power Supply	24VAC / 12VDC
Power Consumption	3.5W Max.
Dimension	φ124mm×109.1mm
Weight	400 g